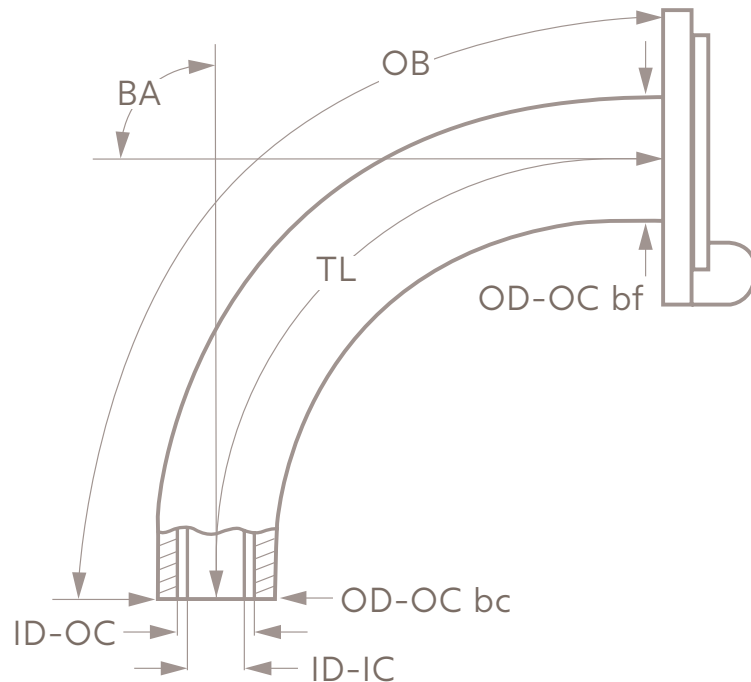


Technical Data

Tracoe Comfort



Size	ID-OC	OD-OC bc	OD-OC bf	ID-IC	TL	OB	BA
mm	mm	mm	mm	mm	mm	mm	e°
05	5.0	6.7	8.7	4.0	52	57	90
06	6.0	7.6	10.0	4.8	54	60	90
07	7.0	8.8	10.5	5.8	57	65	90
08	8.0	10.0	11.3	6.8	61	70	90
09	9.0	11.4	12.6	7.6	65	75	90
10	10.0	12.4	13.7	8.7	74	85	90
11	11.0	13.1	15.0	9.7	76	87	90
12	12.0	14.2	16.2	10.8	78	90	90
13	13.0	15.4	17.2	11.8	87	100	90
14	14.0	16.6	18.2	12.6	91	105	90

ID-OC: inner diameter (clear width) at bottom of outer cannula;
OD-OC bc: outer diameter at bottom of outer cannula; **OD-OC bf:** outer diameter of outer cannula behind the flange; **ID-IC:** inner diameter at bottom of inner cannula; **TL:** length along center line from start of neck flange to bottom of tube; **OB:** length along outer bend (greatest length); **BA:** bending angle

Please be aware when switching a patient from another tube type in a certain size to one of the Tracoe Comfort tubes, the outer and inner diameter should be considered.